

The Digital Dreams Series units are RS-485 based Dimming and Relay switching devices designed to be mounted in electrical switchboards concealed in side the wall or similar enclosures. For ease of installation, they are also DIN rail mounted, measuring 3 DIN modules wide. The independent unit is pre-programmed to function as stand alone unit. Alternatively, units can be programmed via a PC along with Gateway. The unit is consisting of Power Supply, CPU section and Driver devices. The unit is self powered with single phase supply used locally. LED Indicators inside the unit shows the status of CPU Unit and Load Status.

IR Remote can control ON and OFF along with Dimming facilities and permits all channels to be controlled locally without any RS-485 network communication.

The RS-485 Bus & inputs are electrically isolated.

Power recovery puts all the loads in OFF position.

AUTOMATION MODULE : DL 8I 4ODC 4DA dimming/relay Module

The DL 8I4ODC4DA is an 8 channel controller with,

- 8 input for buttons
- 4 output for Dimming application &
- 4 output for ON / OFF application

Input : 8 isolated input with isolated dry contacts for command to individual load to be controlled.

Dimming : 4 cahnnels are dimmed using PWM technology. Each channel can handle maximum load of 800 Watts. Each such channel can be programmed as either Dimmer or ON/OFF too.

ON / OFF : 4 independent relay contacts, suitable for most types of switched loads up to 2A rating.

Technical data :

Inputs :

- Supply Control Inputs - 230V $\pm 10\%$ 50Hz Single Phase – Phase, Neutral and Earth
- RS485 Network termination
- 8 input buttons for each load
- IR Port

Outputs :

Dimming : Leading Edge

Regulating Device : Triac 16 A, 600V

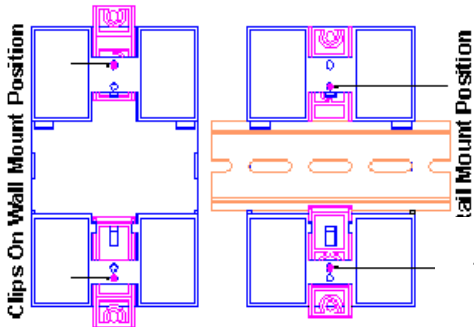
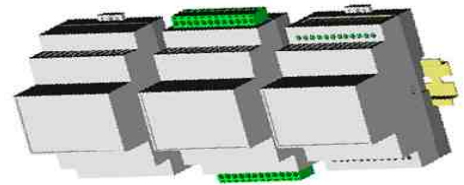
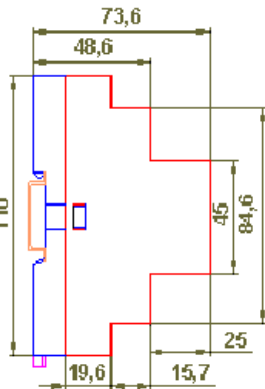
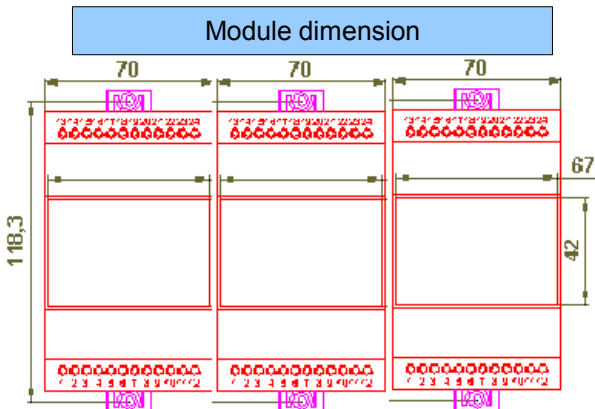
Relay : 7 A

Operating Condition : 0° to 40°C ambient temperature, 0% to 95% RH non condensing
8 Bit with 100 Steps resolution

Dimmer Module Power Conditioning Compliance

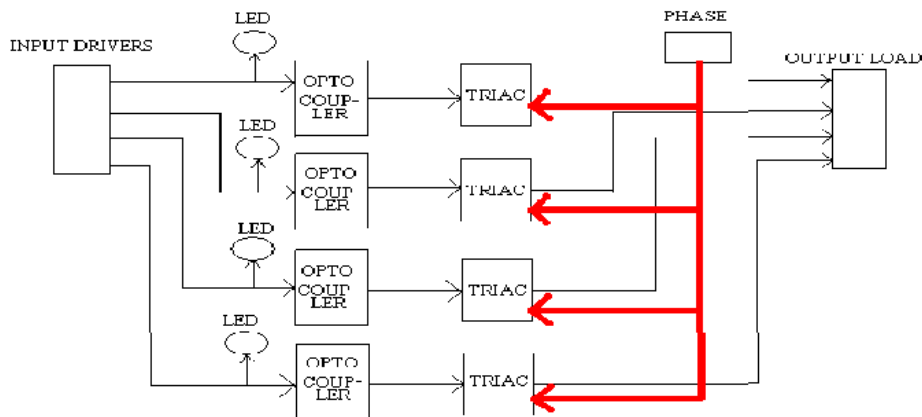
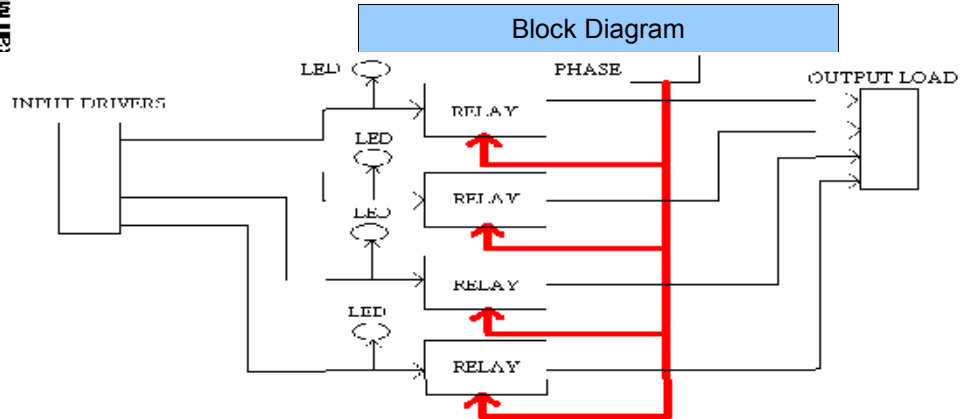
- Over voltage protection
- Surge protection Enclosure
- Brownout/Sag protection ABS DIN Rail enclosure (3 unit)
- Spike protection
- Soft start

Dimensions : L 210 mm X H 120 mm X D 75 mm



Dimensions - DIN rail type

w = 210 mm, h = 120 mm, d = 75 mm



M/S. NCC Telecom Pvt. Ltd. - India.

info@ncc.co.in

www.ncc.co.in

Specifications subject to change without notice.

All rights reserved. Warranty is limited for our products only and not for other integrated items or failure due to integration.

for further information contact: