

The Digital Dreams Series units are RS-485 based Special Curtain Control switching devices designed to be mounted in electrical switchboards concealed in side the wall or similar enclosures. For ease of installation, they are also DIN rail mounted, measuring \_\_ DIN modules wide. The independent unit is programmed to function as stand alone unit. Alternatively, units can be programmed via a PC along with Gateway. The unit is consisting of Power Supply, CPU section and Driver devices. The unit is self powered with single phase supply used locally. LED Indicators inside the unit shows the status of CPU Unit and Load Status.

IR Remote can control Open and Close function of Curtain and permits all channels to be controlled locally without any RS-485 network communication.

The RS-485 Bus, Inputs and all potential free contacts are stages are electrically isolated.

Power recovery keeps the status of Curtain in as it is position.

### **AUTOMATION MODULE : DL C11 Curtain Module**

The DL C11 is an 2 channel controller with,

- 2 input for buttons
- 2 output for ON / OFF application

Input : 2 isolated input with isolated dry contacts for command to individual Channel to be controlled.

ON / OFF : 4 independent potential free contacts, suitable for most types of switched loads up to 3A rating.

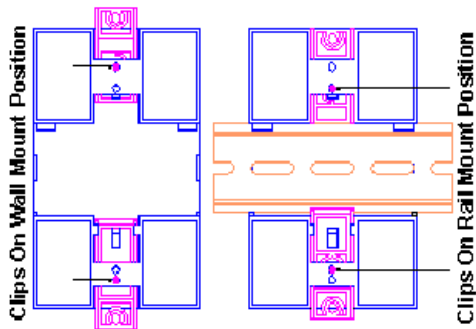
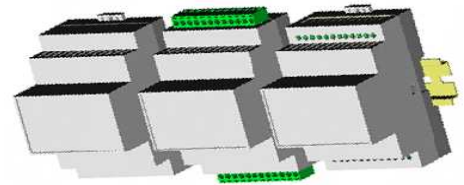
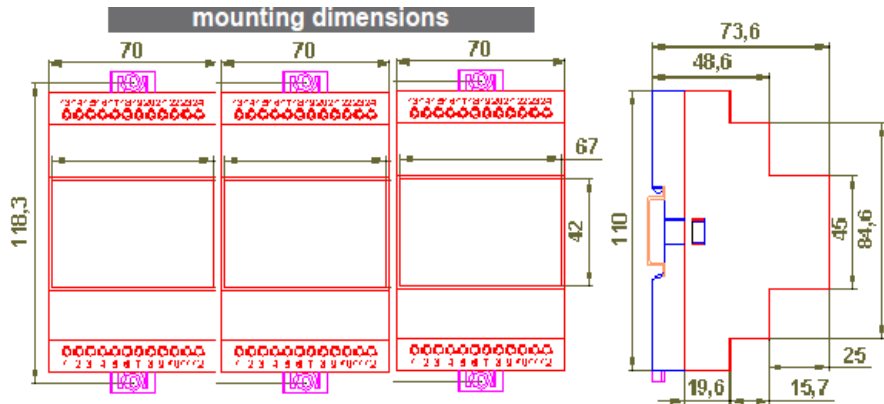
#### **Technical data :**

Inputs :

- Supply Control Inputs
- 230V  $\pm$ 10% 50Hz Single Phase - Phase, Neutral and Earth
- RS485 Network termination
- 2 input buttons for each load
- IR Port

Outputs :

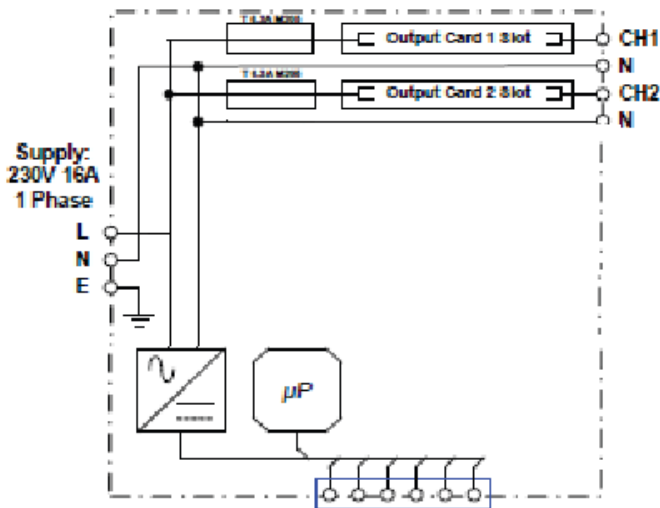
- 20A, 600V, 62A surge. Occupies 1 slot 0% to 95% RH non condensing
- Surge protection Enclosure
- Brownout/Sag protection ABS DIN Rail enclosure (12 unit)
- Spike protection
- Soft start Dimensions



Dimensions - DIN rail type

w = 210 mm, h = 120 mm, d = 75 mm

## electrical diagram



for further information contact:

M/S. NCC Telecom Pvt. Ltd. - India.  
[info@ncc.co.in](mailto:info@ncc.co.in)  
[www.ncc.co.in](http://www.ncc.co.in)

Specifications subject to change without notice.  
 All rights reserved. Warranty is limited for our products only and not for other integrated items or failure due to integration.